

BETHLEHEM TOWNSHIP MUNICIPAL AUTHORITY

3535 ORTH STREET  
BETHLEHEM, PA. 18020



Suite 100  
649 North Lewis Road  
Limerick, PA 19468  
Tel 610.495.0303  
Fax 610.495.5855

STANDARD DETAILS

PROJECT NO.  
1720.98

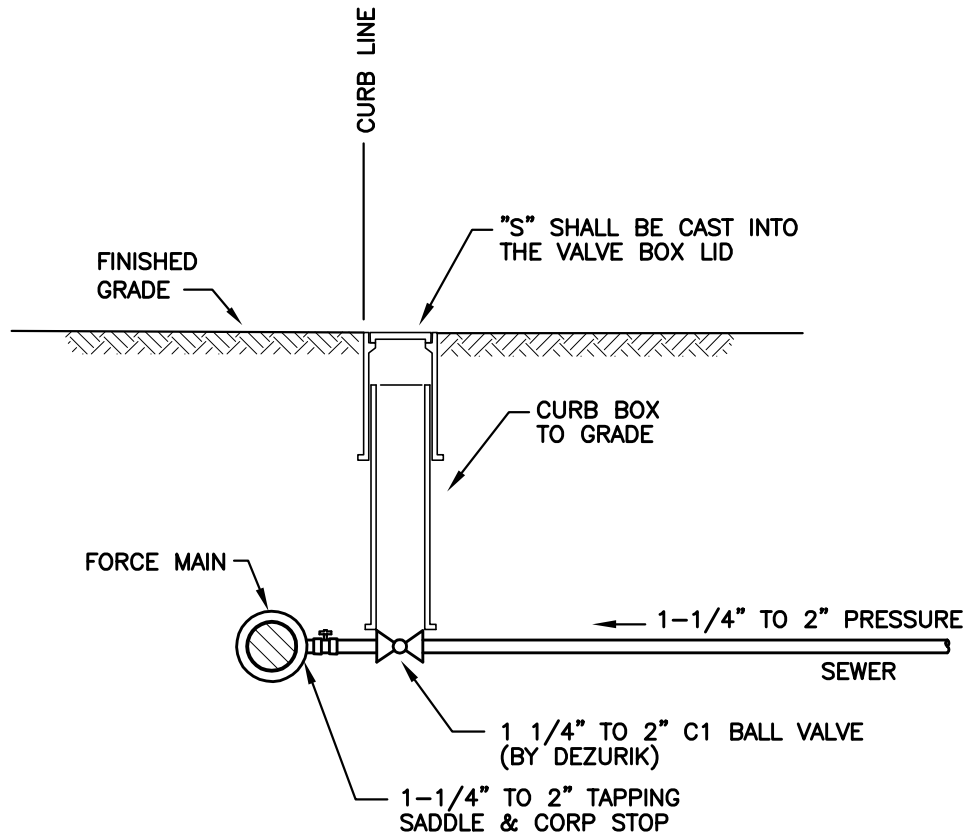
SCALE  
NONE

PRESSURE SEWER TO

REVISION  
0

DATE  
12/2015

FORCE MAIN CONNECTION



NOTE: PRESSURE SEWER SIZE SHALL  
BE 1-1/4" MINIMUM TO 2" MAXIMUM