

BETHLEHEM TOWNSHIP MUNICIPAL AUTHORITY

3535 ORTH STREET

BETHLEHEM, PA. 18020



Suite 100
649 North Lewis Road
Limerick, PA 19468
Tel 610.495.0303
Fax 610.495.5855

STANDARD DETAILS

MANHOLE FRAME & COVER

PROJECT NO.

1720.98

SCALE

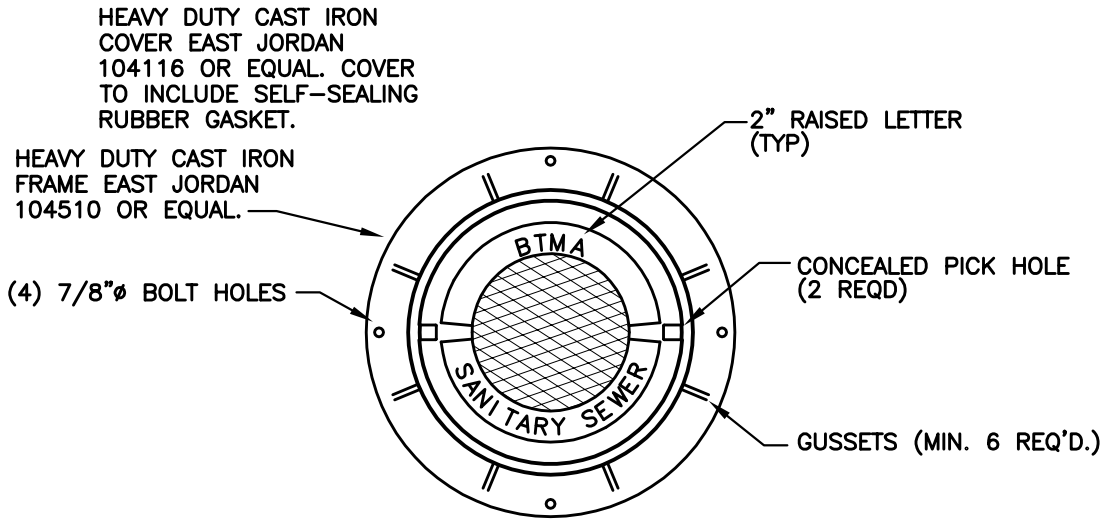
NONE

REVISION

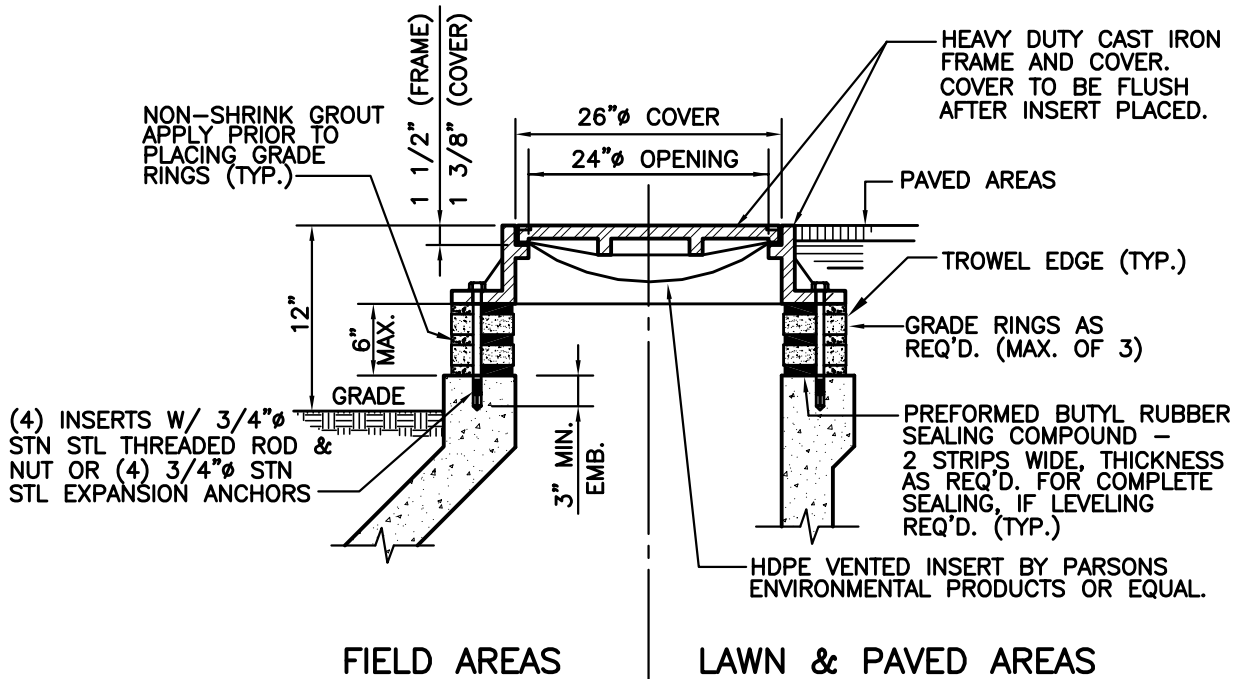
0

DATE

12/2015



COVER PATTERN



MANHOLE FRAME & COVER

NO SCALE