

BETHLEHEM TOWNSHIP MUNICIPAL AUTHORITY

3535 ORTH STREET

BETHLEHEM, PA. 18020



Suite 100
649 North Lewis Road
Limerick, PA 19468
Tel 610.495.0303
Fax 610.495.5855

STANDARD DETAILS

WATERTIGHT MANHOLE FRAME & COVER

PROJECT NO.

1720.98

SCALE

NONE

REVISION

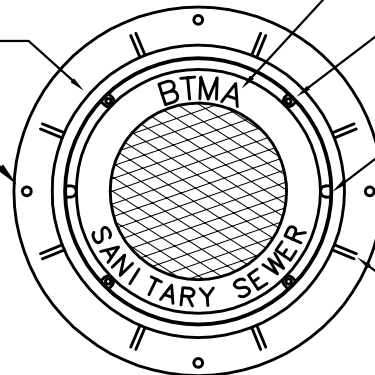
0

DATE

12/2015

HEAVY DUTY CAST IRON FRAME AND COVER. EAST JORDAN 104517 WATERTIGHT ASSEMBLY OR EQUAL. COVER TO INCLUDE SELF-SEALING RUBBER GASKET.

(4) 7/8"Ø BOLT HOLES



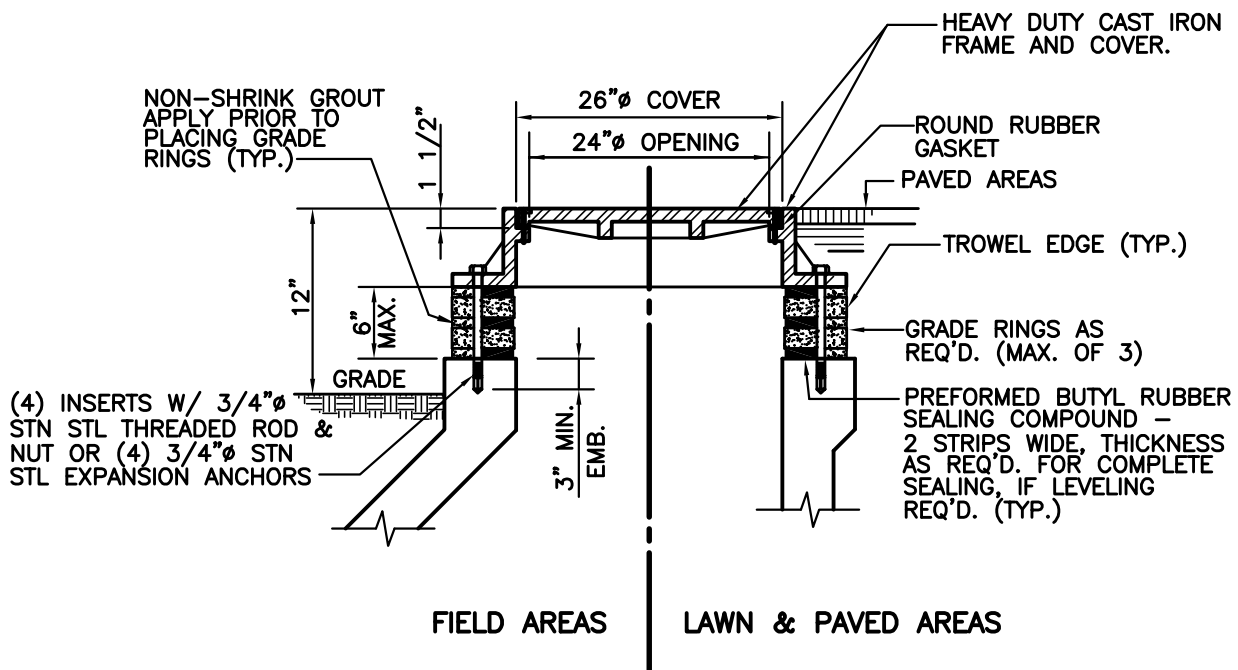
2" RAISED LETTER (TYP)

COUNTERSUNK HEX-HEAD CAP SCREWS & WASHERS-4 REQ'D

CLOSED PICK HOLE (2 REQ'D.)

GUSSETS (MIN 6 REQ'D)

COVER PATTERN



WATERTIGHT MANHOLE FRAME & COVER