

BETHLEHEM TOWNSHIP MUNICIPAL AUTHORITY
3535 ORTH STREET
BETHLEHEM, PA. 18020



Suite 100
649 North Lewis Road
Limerick, PA 19468
Tel 610.495.0303
Fax 610.495.5855

STANDARD DETAILS

PROJECT NO.

1720.98

SCALE

NONE

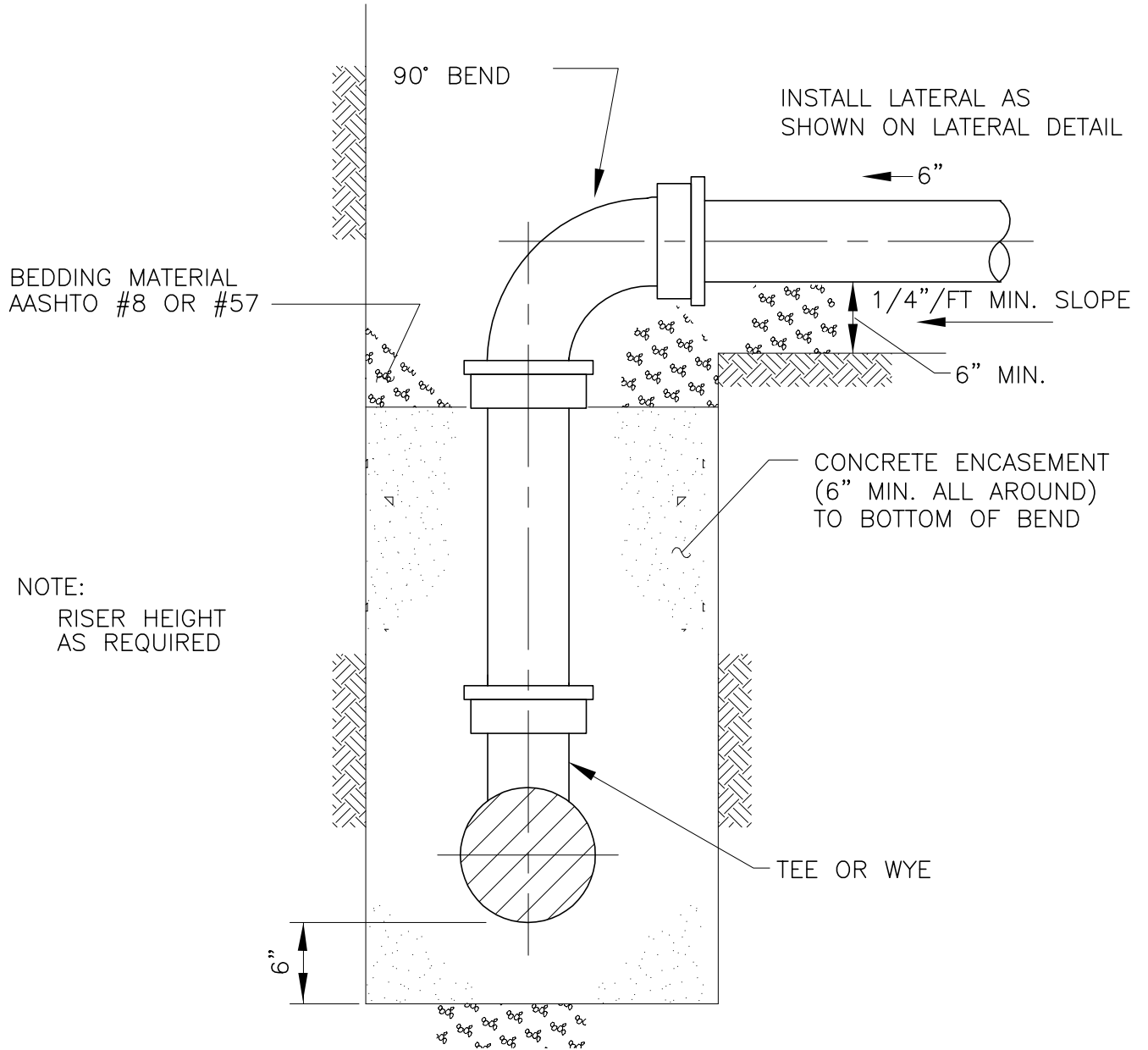
VERTICAL RISER LATERAL CONNECTION

REVISION

0

DATE

12/2015



VERTICAL RISER LATERAL CONNECTION